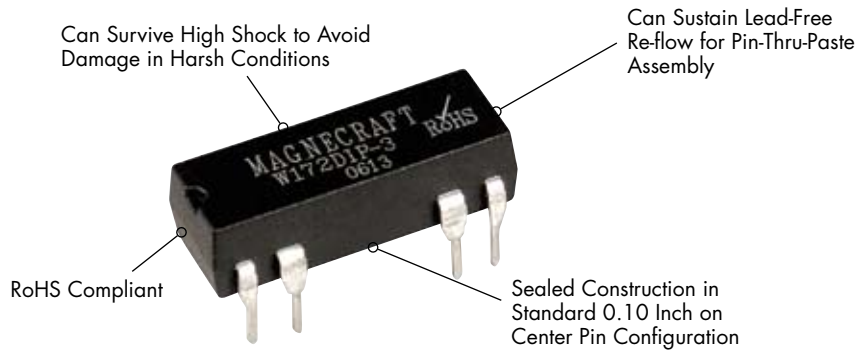


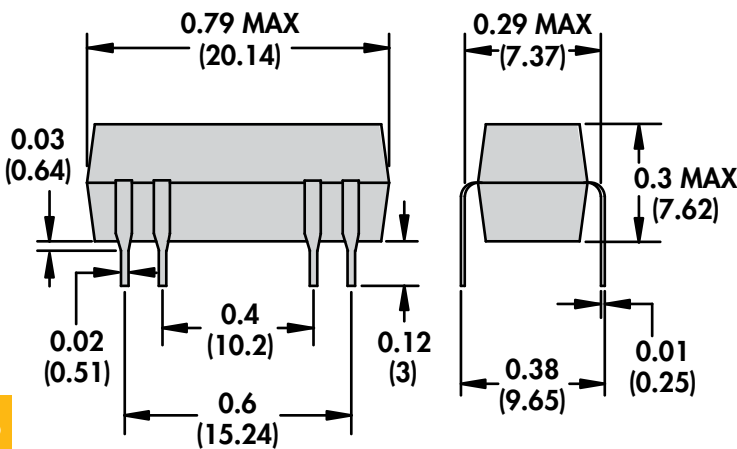
172DIP PCB Mount Miniature Reed Relay/SPDT and DPDT 0.25 Amp Rated



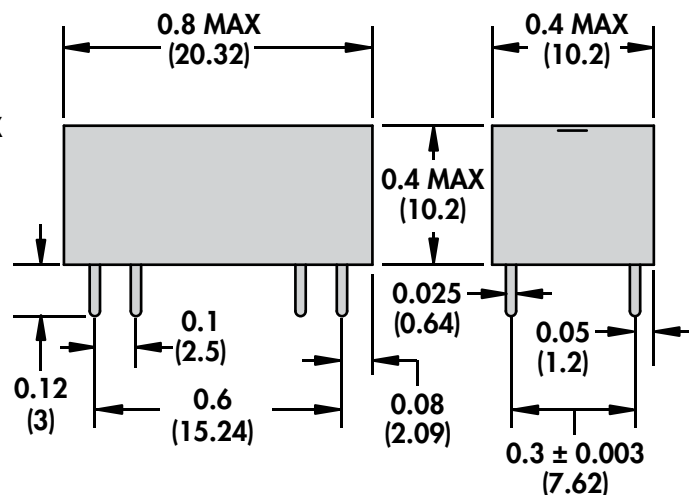
General Specifications

Contact Characteristics		Units	172DIP SPDT	172DIP DPDT
Number and type of Contacts			SPDT	DPDT
Contact materials			Rhodium	Rhodium
Current rating		A	0.25	0.25
Switching voltage		V	60	60
		V	100	100
Minimum Switching Requirement	Minimum	mA	10	10
Coil Characteristics				
Voltage Range		V	5...24	5...24
Operating Range	% of Nominal		80% to 110%	80% to 110%
Average consumption		W	0.29	0.29
Drop-out voltage threshold			10%	10%
Performance Characteristics				
Electrical Life	Operations @ Rated Current (Resistive)		50,000,000	50,000,000
Mechanical Life	Unpowered		100,000,000	100,000,000
Operating time (response time)		ms	1	1
Rated insulation voltage	Between coil and contact	V	1000	1000
Dielectric strength	Between poles	V	1000	1000
rms voltage	Between contacts	V	200	200
Environment				
Ambient air temperature	Storage	°C	-40...+85	-40...+85
around the device	Operation	°C	-40...+55	-40...+55
Vibration resistance	Operational	g-n	20, 10-200 Hz	20, 10-200 Hz
Shock resistance		g-n	50	50
Weight		grams	1	1

172DIP SPDT



172DIP DPDT



WHEN SPACING DIP RELAYS, THE RELAYS REQUIRE 1/2 INCH SPACING FROM THE SIDE OF THE ADJACENT RELAYS



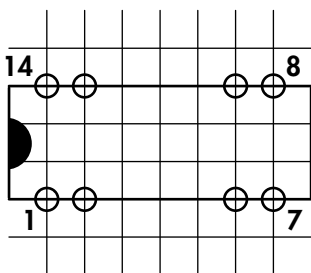
Standard Part Numbers

BOLD-FACED PART NUMBERS ARE NORMALLY STOCKED

Nominal Input Voltage	Nominal Coil Resistance (Ω)	Part Number	Contact Configuration	Figure
5 VDC	200 Ω	W172DIP-1	SPDT	A
12 VDC	1000 Ω	W172DIP-3	SPDT	A
24 VDC	2200 Ω	W172DIP-4	SPDT	A
5 VDC	200 Ω	W172DIP-5	SPDT w/ Clamping Diode	B
12 VDC	1000 Ω	W172DIP-7	SPDT w/ Clamping Diode	B
24 VDC	2200 Ω	W172DIP-8	SPDT w/ Clamping Diode	B
5 VDC	200 Ω	W172DIP-31	SPDT	C
12 VDC	1000 Ω	W172DIP-33	SPDT	C
24 VDC	2200 Ω	W172DIP-34	SPDT	C
5 VDC	200 Ω	W172DIP-35	SPDT w/ Clamping Diode	D
12 VDC	1000 Ω	W172DIP-37	SPDT w/ Clamping Diode	D
24 VDC	2200 Ω	W172DIP-38	SPDT w/ Clamping Diode	D
5 VDC	200 Ω	W172DIP-141	SPDT	E
12 VDC	1000 Ω	W172DIP-145	SPDT	E
24 VDC	3200 Ω	W172DIP-146	SPDT	E
5 VDC	200 Ω	W172DIP-147	SPDT w/ Clamping Diode	F
12 VDC	1000 Ω	W172DIP-149	SPDT w/ Clamping Diode	F
24 VDC	3200 Ω	W172DIP-150	SPDT w/ Clamping Diode	F
5 VDC	46 Ω	W172DIP-17	DPDT	G
12 VDC	266 Ω	W172DIP-19	DPDT	G
24 VDC	1066 Ω	W172DIP-20	DPDT	G
5 VDC	46 Ω	W172DIP-21	DPDT w/ Clamping Diode	H
12 VDC	266 Ω	W172DIP-23	DPDT w/ Clamping Diode	H
24 VDC	1066 Ω	W172DIP-24	DPDT w/ Clamping Diode	H

WIRING DIAGRAMS TOP VIEW

**CIRCUIT BOARD PIN SPACING
VIEWED FROM COMPONENT SIDE
(TOP VIEW)**



0.1 IN GRID
(2.54) MM

